

## Important Information

We recommend that luminaires are installed by a qualified electrician ensuring the installation complies with current IEE wiring regulations BS7671:2018 & local building control.

- BELL will not accept responsibility for any claims arising from a poor installation.
- Do not cover with any insulation.
- Internal use only.

This product may contain substances that can be hazardous to the environment if not disposed of properly. Electrical and electronic equipment should never be disposed of with general household waste but must be separated for its correct treatment and recovery.

Where possible recycle your packaging.



## To replace GU10 lamp

- Remove the bezel by twisting anti-clockwise and insert the lamp into the rear of the bezel,
- Connect the lamp to the GU10 lamp holder,
- Re-connect the bezel into the firestay body by twisting clockwise.



Read these instructions before installation and retain for future reference

This equipment should be installed by a competent electrician



## INSTALLATION

- Provide power to the required point of installation
- Cut a suitable hole in the mounting surface as per the cut-out details (see Fig. 1) ensuring not to infringe with any joists, gas/water pipes or electrical cables

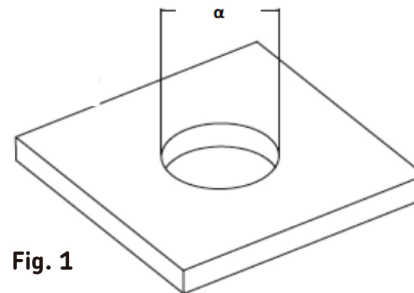
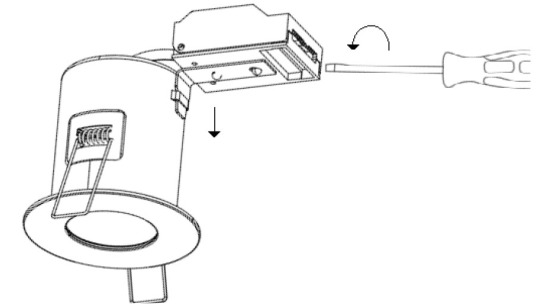


Fig. 1

Part code	Cut-out α (mm)
11530	65
11539	80
11548	69

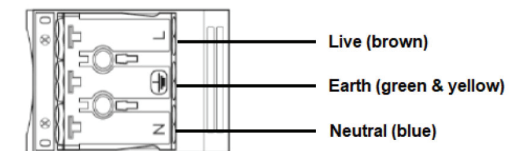
- Slot the terminal block into position on the fitting, and open the terminal access cover with the aid of a flat-head screwdriver (see Fig. 2)

Fig. 2



- Connect the luminaire to the mains supply ensuring the correct polarity is observed (see Fig. 3):  
L - Live (brown), E - Earth (green / yellow), N - Neutral (blue). Two cables can be inserted into the push-fit terminal block in order to achieve loop in / loop-out wiring

Fig. 3



- Secure the mains cable under the cable clamp by closing the lid tightly
- Lift both spring clips on the sides of the fitting and push into the ceiling (see Fig. 4)

### Important Information

**We recommend that luminaires are installed by a qualified electrician ensuring the installation complies with current IEE wiring regulations BS7671:2018 & local building control.**

- BELL will not accept responsibility for any claims arising from a poor installation.
- Do not cover with any insulation.
- Internal use only.

This product may contain substances that can be hazardous to the environment if not disposed of properly. Electrical and electronic equipment should never be disposed of with general household waste but must be separated for its correct treatment and recovery.

Where possible recycle your packaging.



### To replace GU10 lamp

- Remove the bezel by twisting anti-clockwise and insert the lamp into the rear of the bezel,
- Connect the lamp to the GU10 lamp holder,
- Re-connect the bezel into the firestay body by twisting clockwise.

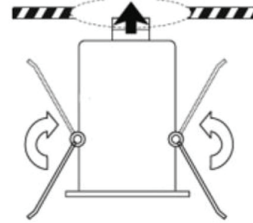


Fig. 4

- Remove the bezel by turning anti-clockwise (see Fig. 5), insert a suitable GU10 lamp into the bezel, and connect the lamp to the lamp holder

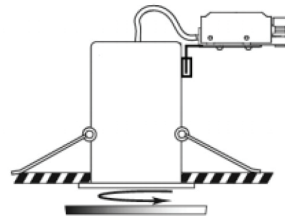


Fig. 5

- Insert the lamp into the body of the downlight and secure by turning the bezel clockwise. If using the F1232C series, please ensure both gaskets are in place. One gasket is in the bezel and the other is around the base of the fitting (see Fig. 6)

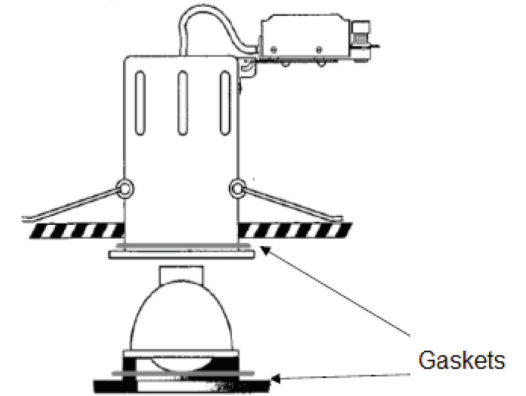


Fig. 6

- Switch on and check for correct operation

### GENERAL

This product should be recycled in the correct manner when it reaches the end of its life. Check local authorities for where facilities exist. Clean with a soft dry cloth only, do not use aggressive cleaning products or solvents which may damage the product. This product is dimmable dependent on lamp type.